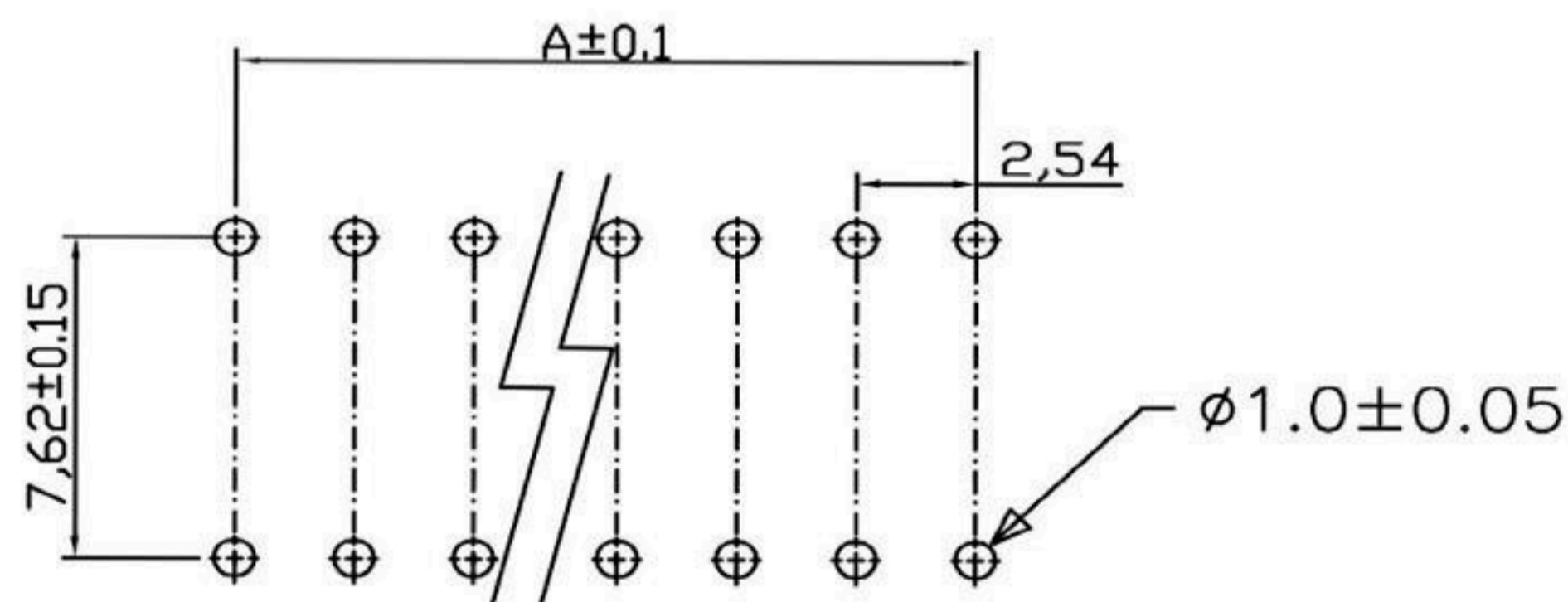
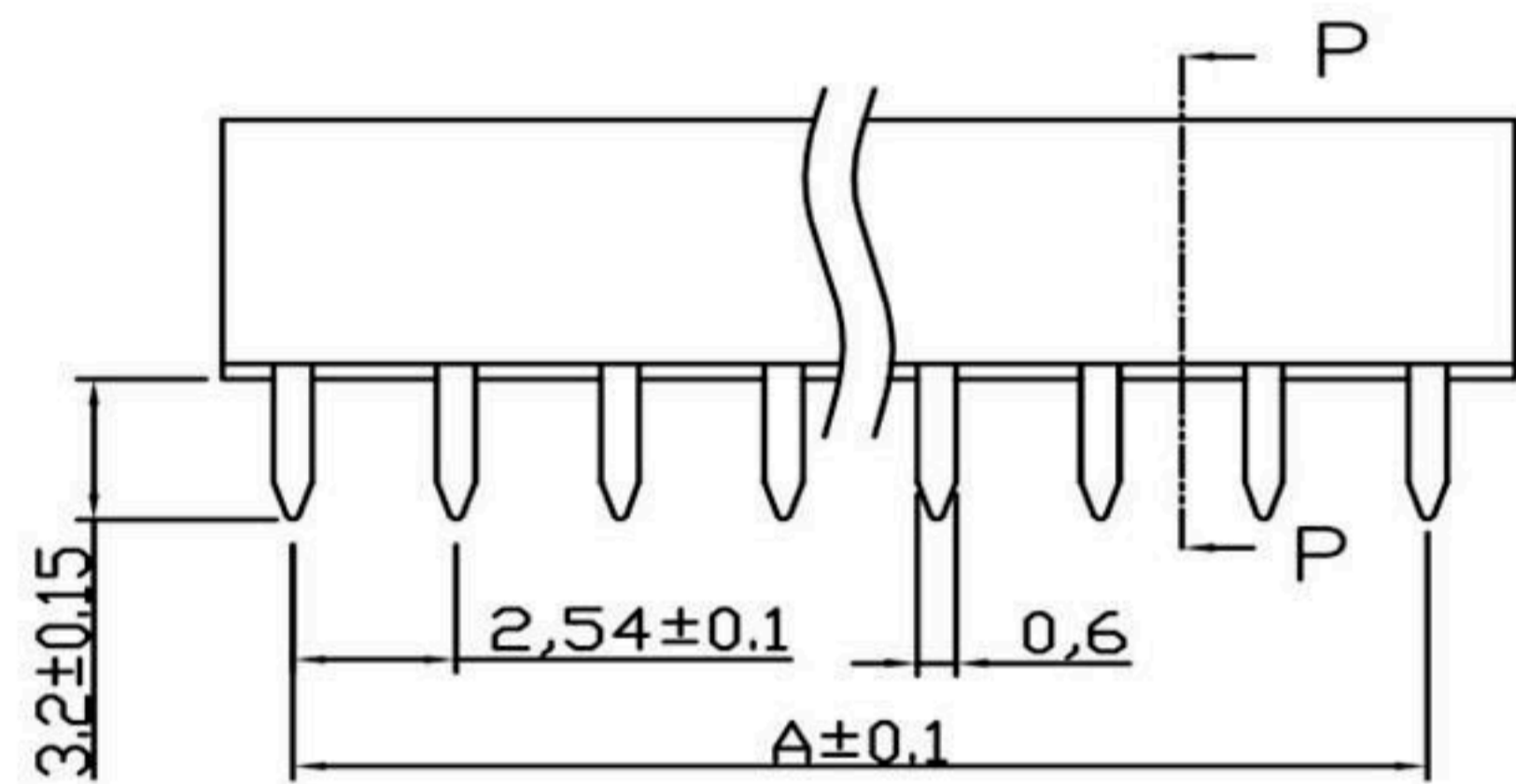
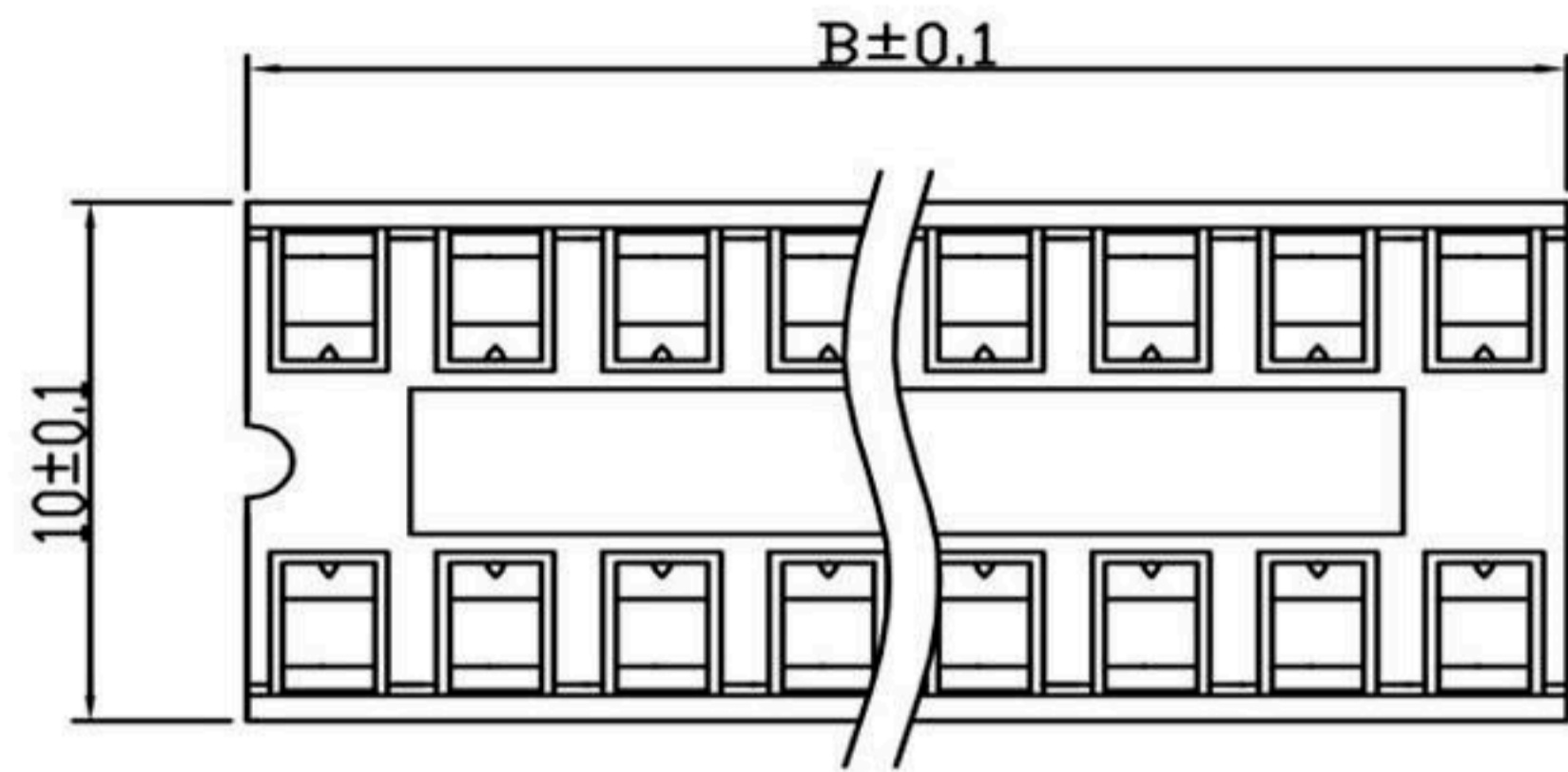


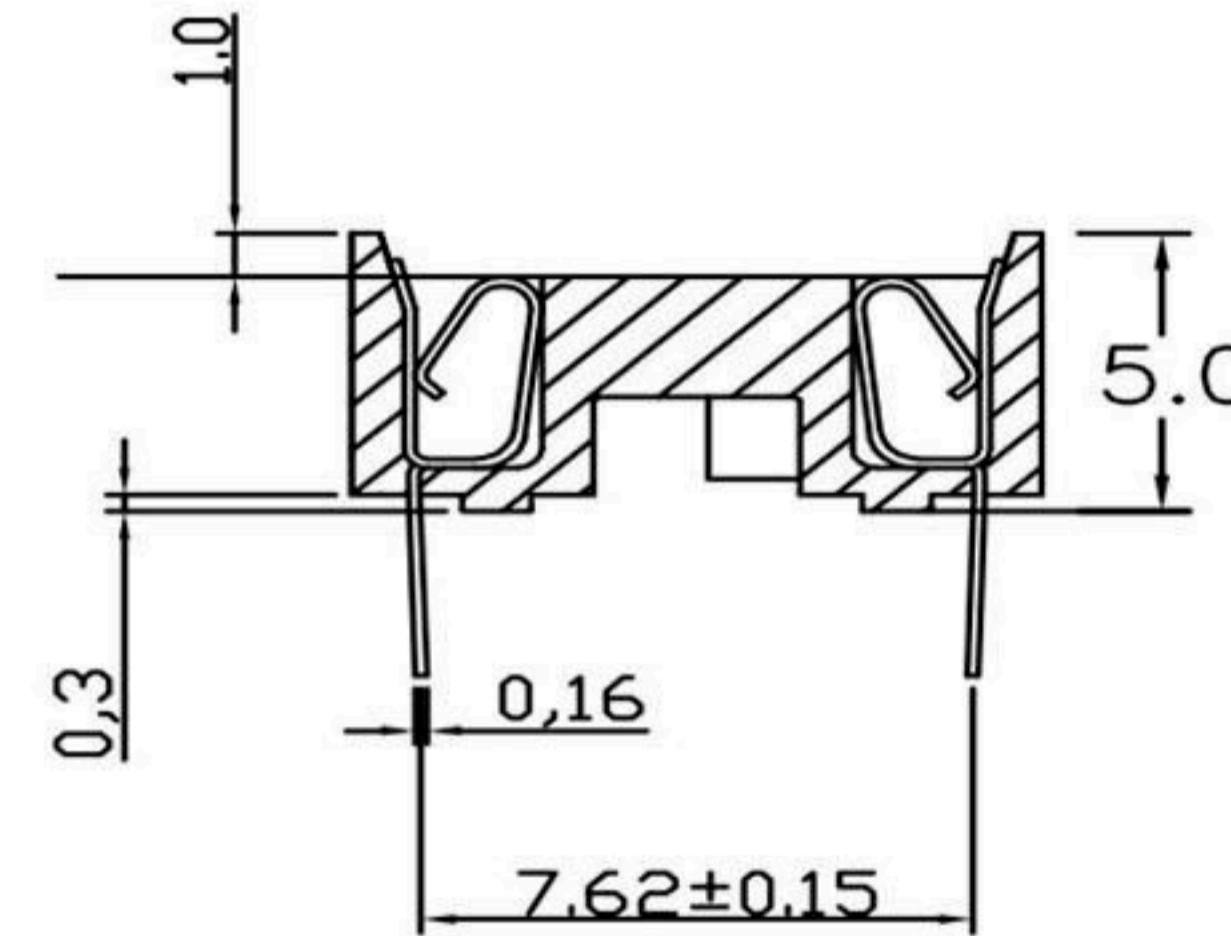
No. of Contacts	DIMENSIONS	
	A	B
6	12.70	15.24
8	17.78	20.32
14	33.02	35.56
16	38.10	40.64
18	43.18	45.72
20	48.26	50.80
22	53.34	55.88



P.C. Board Layout

CONSTRUCTION

HOUSING: THERMOPLASTIC(PBT);BLACK.
 CONTACT: BRASS/PHOSPHOR BRONZE;
 PLATING:
 CONTACT: TIN PLATED 80u-120u;
 SPECIFICATION:
 CURRENT RATING: 1mA.
 WITHSTANDING VOLTAGE: AC 1000V 5s
 INSULATION RESISTANCE: 1000M 500V DC
 OPERATING TEMPERATURE: $-55^{\circ}\text{C} \sim 105^{\circ}\text{C}$



Section P-P

**RoHS
Compliant**

APPD. 核准		TOLERANCE 容許公差	PART NAME I.C. SOCKET 2.54mm XXP 0.3" WITHOUT BAR TIN PLATING BLACK INSULATOR ROHS
DWG. 製圖	SCALE 比例 參考	.0 ± 0.2 .00 ± 0.15 ANG. \pm	
DATE 制表日 2013/8/22	UNIT 單位 MM	SIZE 紙張尺寸 A4	PART NO. ZOC2X3 / ZOC2X4 / ZOC2X7 / ZOC2X8 / ZOC2X9 / ZOC2X10
	PAGE 張數 1 OF 1	REV. 版本 A	