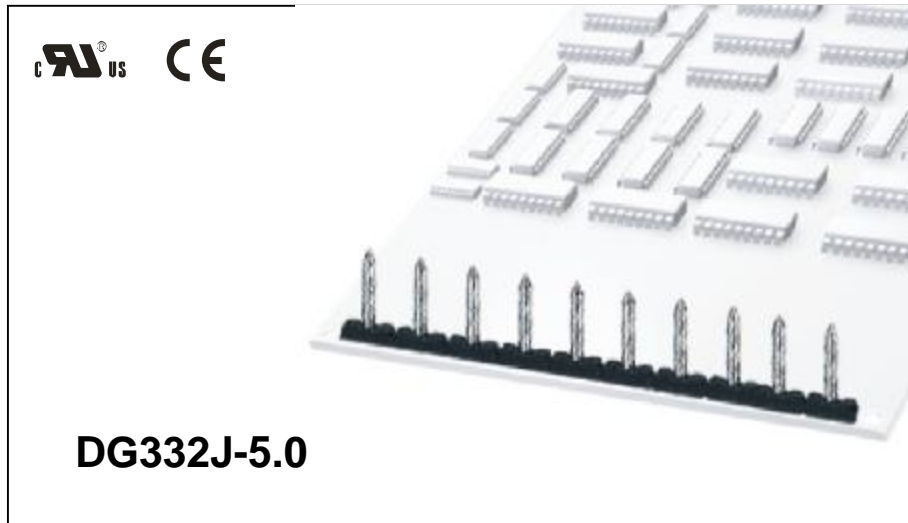


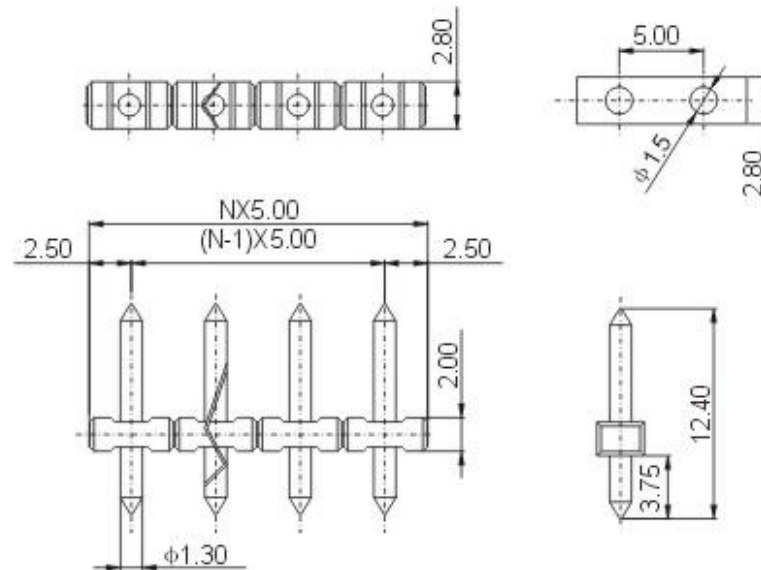


DEGSON ELECTRONICS CO., LTD.

Product Specification



APPROVAL	UL [®] US	CE
Electrical		
Standard	UL	IEC
Rated voltage	300V	250V
Rated current	10A	12A
Wire range	AC2000V/1Min	
Withstanding voltage		
Ambient temperature	-40°C ~ +105 °C	
Dimensions		
Pitch	5.0mm (.197")	
Poles	2P, 3P-24P	
Mechanical		
Housing	PA66+10%GF, UL94V-0	
Pin header	Brass, Tin plated	



HOW TO ORDER :

DG332J-5.0 – **P** – –

X	X	X
Customer Request		

Series number **No. of pole**

1	Single pitch
2	Double pitch

Color		
1 Grey	4 Green	7 Trans Parent
2 Blue	5 Orange	8 Yellow
3 Black	6 Red	9 White

	 DEGSON ELECTRONICS CO., LTD.
	NAME DG332J-5.0