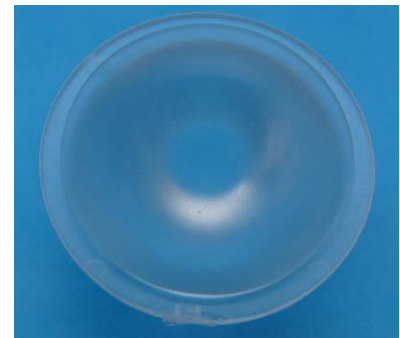
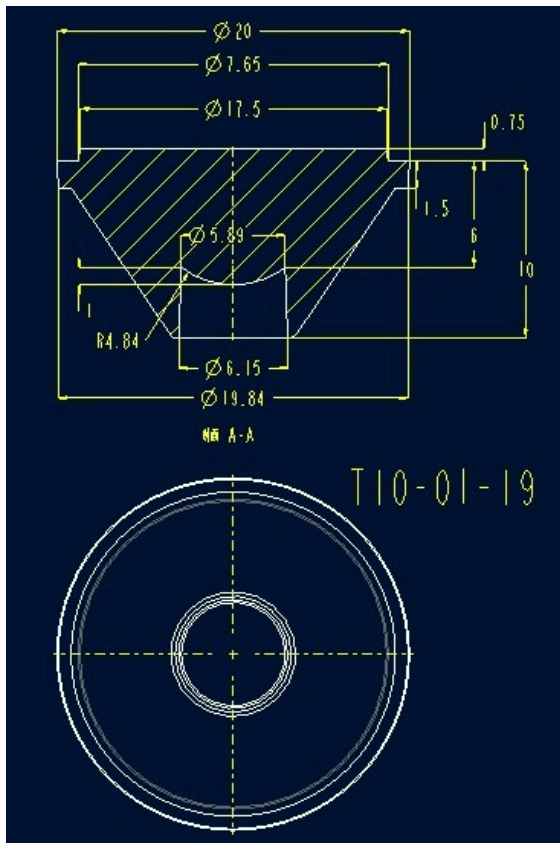


| | |
|-----------|----------|
| Model No. | SLQL1W60 |
| REV. | |

Descriptions:

| | |
|-------------------|----------------|
| Models | OSOLRA2060M |
| Specification | φ20*10.75 |
| Perspective | 60 |
| Wick | 1 |
| Material | PMMA |
| Transmittance | 93% |
| Temperature | -35°C -90°C |
| Weight | 1.74g |
| Tolerance | ±0.2MM |
| Standard | SGS/ROHS |
| Surface Treatment | The flat matte |

Lens product picture and dimensions



Unit: mm
Tolerance: ± 0.2mm