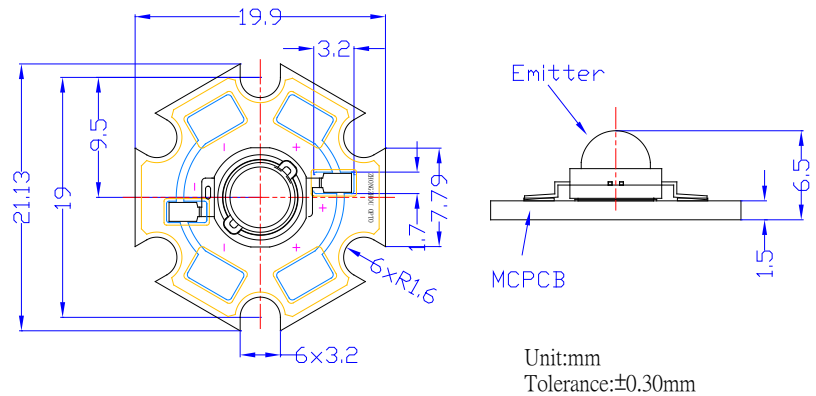


■ Features

- Highest Luminous Flux
- Super Energy Efficiency
- Long Lifetime Operation
- Superior ESD protection
- Superior UV Resistance

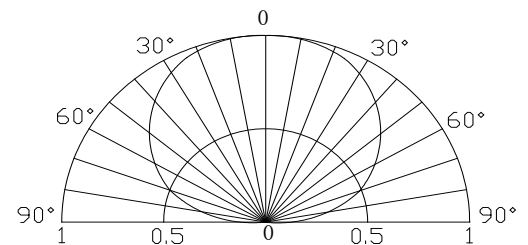
■ Applications

- Read lights (car, bus, aircraft)
- Portable (flashlight, bicycle)
- Bollards / Security / Garden
- Traffic signaling / Beacons
- In door / Out door Commercial lights
- Automotive Ext


 Unit:mm
Tolerance:±0.30mm

■ Absolute Maximum Rating (Ta=25°C)

| Item | Symbol | Value | | Unit |
|----------------------------|------------------|-----------|-------|------|
| | | W/B/PG | Y/R | |
| DC Forward Current | I _F | 1400 | 1600 | mA |
| Pulse Forward Current* | I _{FP} | 1800 | 2000 | mA |
| Reverse Voltage | V _R | 5 | 5 | V |
| Power Dissipation | P _D | 6,300 | 5,600 | mW |
| Operating Temperature | T _{opr} | -30 ~ +85 | | °C |
| Storage Temperature | T _{stg} | -40~ +100 | | °C |
| Lead Soldering Temperature | T _{sol} | 260°C5sec | | °C |

■ Directivity


*Pulse width Max.10ms Duty ratio max 1/10

■ Electrical -Optical Characteristics (Ta=25°C)

| Part Number | Color | | V _F (V) | | | I _R (μA) | CCT (K) | Luminous Flux Φ _v (lm) | | | λD(nm) | | | 2θ1/2 (deg) |
|-------------|------------|----|------------------------|------|------|---------------------|---------|-----------------------------------|-----|------|----------------|------|------|-------------|
| | | | Min. | Typ. | Max. | | | Max. | Typ | Min. | Typ. | Max. | Min. | |
| | | | I _F =1400mA | | | V _R =5V | | I _F =1400mA | | | | | | |
| SLQ5WB320L | Pure White | W4 | 3.3 | 3.5 | 4.5 | 10 | 6500 | 300 | 320 | - | X=0.31 ,Y=0.33 | | | 140 |
| SLQ5WBN320L | Warm White | M7 | 3.3 | 3.5 | 4.5 | 10 | 4000 | 300 | 320 | - | X=0.37 ,Y=0.38 | | | |
| SLQ5WBC300L | Warm White | M5 | 3.3 | 3.5 | 4.5 | 10 | 3000 | 280 | 300 | - | X=0.44,Y=0.41 | | | |
| SLQ5WAZ70L | Blue | B | 3.3 | 3.5 | 4.5 | 10 | - | 50 | 70 | - | 455 | 460 | 465 | |
| SLQ5WVP300L | Pure Green | G | 3.3 | 3.5 | 4.5 | 10 | - | 280 | 300 | - | 520 | 525 | 530 | |
| SLQ5WA160L | Yellow | Y | 2.5 | 2.8 | 3.5 | 10 | - | 140 | 160 | - | 585 | 590 | 595 | |
| SLQ5WR160L | Red | R | 2.5 | 2.8 | 3.5 | 10 | - | 140 | 160 | - | 620 | 625 | 630 | |

Note: Don't drive at rated current more than 5s without heat sink for Xeon 5 emitter series.

■ **Handling of Silicone Lens LEDs**

Notes for handling of silicone lens LEDs

- Please do not use a force of over 3kgf impact or pressure on the silicone lens, otherwise it will cause a catastrophic failure.
- The LEDs should only be picked up by making contact with the sides of the LED body.
- Avoid touching the silicone lens especially by sharp tools such as Tweezers.
- Avoid leaving fingerprints on the silicone lens.
- Please store the LEDs away from dusty areas or seal the product against dust.
- When populating boards in SMT production, there are basically no restrictions regarding the form of the pick and place nozzle, except that mechanical pressure on the silicone lens must be prevented.
- Please do not mold over the silicone lens with another resin. (epoxy, urethane, etc)

