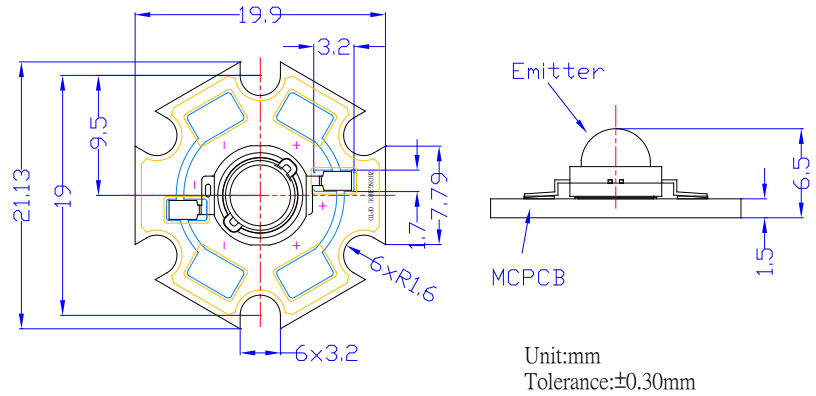


■ Features

- Highest Luminous Flux
- Super Energy Efficiency
- Long Lifetime Operation
- Superior ESD protection
- Superior UV Resistance

■ Applications

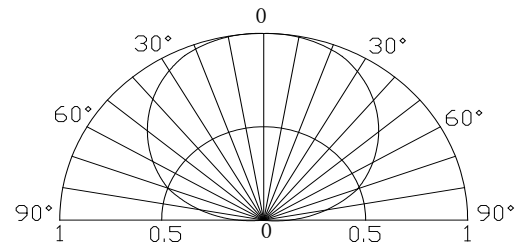
- Read lights (car, bus, aircraft)
- Portable (flashlight, bicycle)
- Bollards / Security / Garden
- Traffic signaling / Beacons
- In door / Out door Commercial lights
- Automotive Ext



■ Absolute Maximum Rating (Ta=25°C)

Item	Symbol	Value		Unit
		W/B/PG	Y/R	
DC Forward Current	I _F	1400	1600	mA
Pulse Forward Current*	I _{FP}	1800	2000	mA
Reverse Voltage	V _R	5	5	V
Power Dissipation	P _D	6,300	5,600	mW
Operating Temperature	T _{opr}	-30 ~ +85		°C
Storage Temperature	T _{stg}	-40~ +100		°C
Lead Soldering Temperature	T _{sol}	260°C5sec		°C

■ Directivity



*Pulse width Max.10ms Duty ratio max 1/10

■ Electrical -Optical Characteristics (Ta=25°C)

Part Number	Color		V _F (V)			I _R (μA)	CCT (K)	Luminous Flux Φ _v (lm)			λD(nm)			2θ1/2 (deg)
			Min.	Typ.	Max.			Max.	Typ	Min.	Typ.	Max.	Min.	
			I _F =1400mA			V _R =5V			I _F =1400mA					
SLQ5WB320L	Pure White	W4	3.3	3.5	4.5	10	6500	300	320	-	X=0.31 ,Y=0.33			140
SLQ5WBN320L	Warm White	M7	3.3	3.5	4.5	10	4000	300	320	-	X=0.37 ,Y=0.38			
SLQ5WBC300L	Warm White	M5	3.3	3.5	4.5	10	3000	280	300	-	X=0.44,Y=0.41			
SLQ5WAZ70L	Blue	B	3.3	3.5	4.5	10	-	50	70	-	455	460	465	
SLQ5WVP300L	Pure Green	G	3.3	3.5	4.5	10	-	280	300	-	520	525	530	
SLQ5WA160L	Yellow	Y	2.5	2.8	3.5	10	-	140	160	-	585	590	595	
SLQ5WR160L	Red	R	2.5	2.8	3.5	10	-	140	160	-	620	625	630	

Note: Don't drive at rated current more than 5s without heat sink for Xeon 5 emitter series.

■ **Handling of Silicone Lens LEDs**

Notes for handling of silicone lens LEDs

- Please do not use a force of over 3kgf impact or pressure on the silicone lens, otherwise it will cause a catastrophic failure.
- The LEDs should only be picked up by making contact with the sides of the LED body.
- Avoid touching the silicone lens especially by sharp tools such as Tweezers.
- Avoid leaving fingerprints on the silicone lens.
- Please store the LEDs away from dusty areas or seal the product against dust.
- When populating boards in SMT production, there are basically no restrictions regarding the form of the pick and place nozzle, except that mechanical pressure on the silicone lens must be prevented.
- Please do not mold over the silicone lens with another resin. (epoxy, urethane, etc)

