

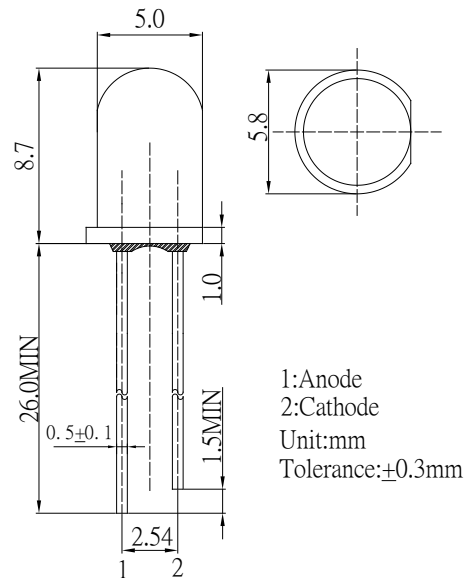
### ■ Features

- High Luminous LEDs
- 5mm Round Standard Directivity
- Superior Weather-resistance
- UV Resistant Epoxy
- Water Clear Type

### ■ Applications

- Traffic Signal
- Backlighting
- Signal and channel letter
- Other Lighting

### ■ Outline Dimension

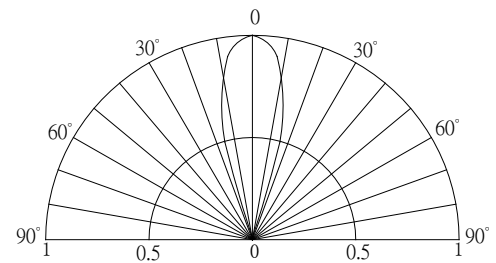


### ■ Absolute Maximum Rating

(Ta=25°C)

| Item                       | Symbol          | Value        | Unit |
|----------------------------|-----------------|--------------|------|
| DC Forward Current         | I <sub>F</sub>  | 50           | mA   |
| Pulse Forward Current*     | I <sub>FP</sub> | 120          | mA   |
| Reverse Voltage            | V <sub>R</sub>  | 5            | V    |
| Power Dissipation          | P <sub>D</sub>  | 130          | mW   |
| Operating Temperature      | Topr            | -30 ~ +85    | °C   |
| Storage Temperature        | Tstg            | -40 ~ +100   | °C   |
| Lead Soldering Temperature | Tsol            | 260°C / 5sec | -    |

### ■ Directivity



\*Pulse width Max.10ms Duty ratio max 1/10

### ■ Electrical -Optical Characteristics

(Ta=25°C)

| Item                | Symbol            | Condition            | Min. | Typ. | Max. | Unit |
|---------------------|-------------------|----------------------|------|------|------|------|
| DC Forward Voltage  | V <sub>F</sub>    | I <sub>F</sub> =20mA | 1.8  | 2.1  | 2.6  | V    |
| DC Reverse Current  | I <sub>R</sub>    | V <sub>R</sub> =5V   | -    | -    | 10   | μA   |
| Domi. Wavelength*   | λ <sub>D</sub>    | I <sub>F</sub> =20mA | 620  | 625  | 630  | nm   |
| Luminous Intensity* | I <sub>v</sub>    | I <sub>F</sub> =20mA | 5800 | 7000 | 8400 | mcd  |
| 50% Power Angle     | 2θ <sub>1/2</sub> | I <sub>F</sub> =20mA | -    | 30   | -    | deg  |

\*1 Tolerance of dominant wavelength is ±1nm

\*2 Tolerance of luminous intensity is ±15%

### ■ Maximum Forward Current

Maximum Permissible Forward Current T<sub>j</sub>=115°C

