

5mm Red + Blue LED

SLQ5R + AZ-SB

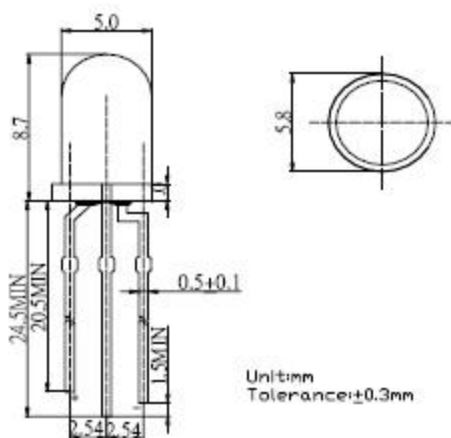
## ■Features

- High Luminous Output
- 5mm Standard Directivity
- Superior Weather-resistance
- Water Clear Type
- Common Cathode

## ■Applications

- Toys
- Games
- Audio

## ■Outline Dimension



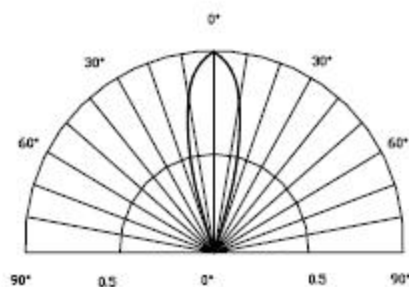
## ■Absolute Maximum Rating

(Ta=25°C)

Item	Symbol	Value	Unit
DC Forward Current	$I_F$	30	mA
Pulse Forward Current*	$I_{FP}$	100	mA
Reverse Voltage	$V_R$	5	V
Power Dissipation	$P_D$	120	mW
Operating Temperature	$T_{opr}$	-30 ~ +80	°C
Storage Temperature	$T_{stg}$	-30 ~ +100	°C
Lead Soldering Temperature	$T_{sol}$	260°C/5sec	-

\*Pulse width Max.10ms Duty ratio max 1/10

## ■Directivity



## ■Electrical -Optical Characteristics

(Ta=25°C)

Item	Symbol	Condition	Min.	Typ.	Max.	Unit
DC Forward Voltage	$V_F$ (Red)	$I_F=20mA$	1.8	2.0	2.4	V
DC Forward Voltage	$V_F$ (Blue)	$I_F=20mA$	2.8	3.4	4.0	V
DC Reverse Current	$I_R$	$V_R=5V$	-	-	10	$\mu A$
Domi. Wavelength	$\lambda_D$ (Red)	$I_F=20mA$	620	625	630	nm
	$\lambda_D$ (Blue)	$I_F=20mA$	465	470	475	nm
Luminous Intensity	$I_v$ (Red)	$I_F=20mA$	3000	4200	5800	med
	$I_v$ (Blue)	$I_F=20mA$	2180	3000	4200	med
50% Power Angle	$2\theta_{1/2}$	$I_F=20mA$	-	30	-	deg