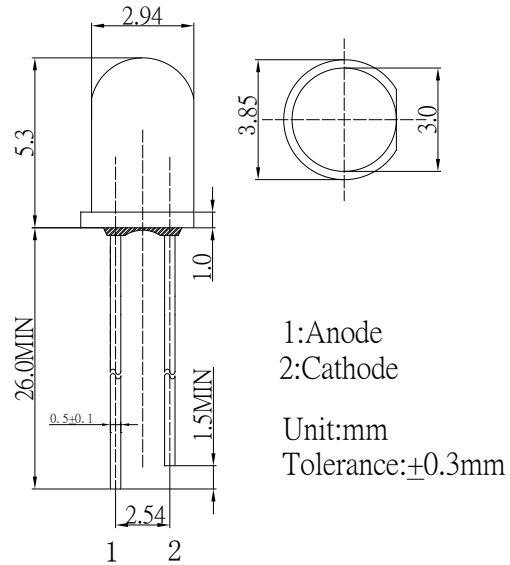


■ Features

- High Luminous LEDs
- 3mm Round Standard Directivity
- Long Lifetime Operation
- Superior Weather-resistance
- UV Resistant Epoxy
- Water Clear Type

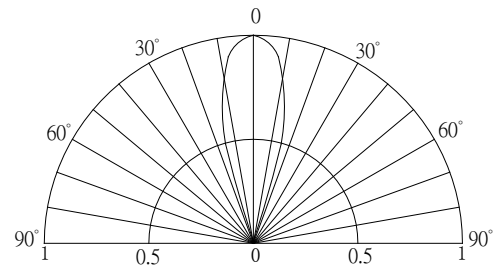
■ Applications

- Electronic Signs And Signals
- Small Area Illuminations
- Back Lighting
- Other Lighting

■ Outline Dimension

■ Absolute Maximum Rating

(Ta=25°C)

| Item | Symbol | Value | Unit |
|----------------------------|-----------|------------|------|
| DC Forward Current | I_F | 30 | mA |
| Pulse Forward Current* | I_{FP} | 100 | mA |
| Reverse Voltage | V_R | 5 | V |
| Power Dissipation | P_D | 108 | mW |
| Operating Temperature | T_{opr} | -30 ~ +85 | °C |
| Storage Temperature | T_{stg} | -40 ~ +100 | °C |
| Lead Soldering Temperature | T_{sol} | 260°C/5sec | - |

■ Directivity


*Pulse width Max 10ms , Duty ratio max 1/10

■ Electrical -Optical Characteristics

(Ta=25°C)

| Item | Symbol | Condition | Min. | Typ. | Max. | Unit |
|---------------------------|-----------------|------------|-------|-------|------|---------|
| DC Forward Voltage | V_F | $I_F=20mA$ | 2.9 | 3.1 | 3.6 | V |
| DC Reverse Current | I_R | $V_R=5V$ | - | - | 10 | μA |
| Luminous Intensity* | I_v | $I_F=20mA$ | 18000 | 20000 | - | mcd |
| Chromaticity Coordinates* | x | $I_F=20mA$ | - | 0.27 | - | |
| | y | $I_F=20mA$ | - | 0.28 | - | |
| 50% Power Angle | $2\theta_{1/2}$ | $I_F=20mA$ | - | 30 | - | deg |

 *1 Tolerance of measurements of chromaticity coordinate is $\pm 10\%$

 *2 Tolerance of measurements of luminous intensity is $\pm 15\%$

 *3 Tolerance of measurements of forward voltage is $\pm 0.1V$