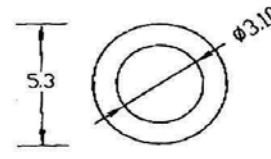
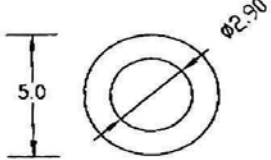


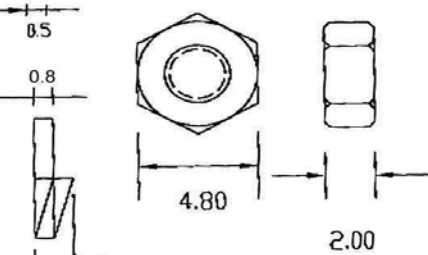
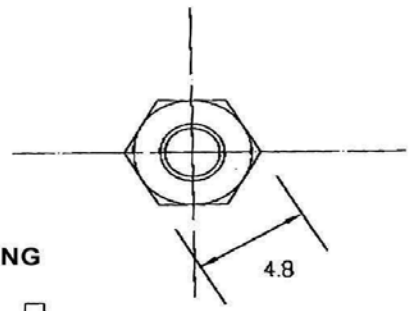
1 2 3 4 5 6 7 8

A  
B  
C  
D  
E  
F  
G  
H

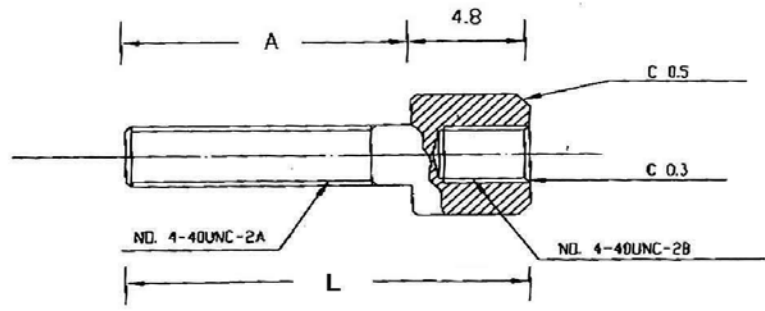
**FLAT WASHER**  
C9994-2300001R  
METAL NICKEL PLATING



**SPLIT WASHER (SPRING WASHER)**  
C9994-2300002R  
METAL NICKEL PLATING



**HEX NUT**  
C9994-24IB0004R  
METAL NICKEL PLATING



L & ITEM NO	PCS /KIT	THREAD *A	REMARK
L:12.7 23I OR 23I127	8	0.312/7.92	(STANDARD FEMALE SCREWLOCK) SPLIT WASHERS, FLAT WASHERS AND HEX NUT. 2 PCS OF EACH PER KIT
L:10 23I100	8	0.394/5.2	SHORT SCREWLOCK, SPLIT WASHER, FLAT WASHER AND HEX NUTS. 2PCS OF EACH PER KIT
L:11.2 23I112	8	0.250/6.35	SHORT SCREWLOCK, SPLIT WASHER, FLAT WASHER AND HEX NUTS. 2PCS OF EACH PER KIT
L:15.7 23I157	8	0.618/11	
L:17.7 23I177	8	0.512/13.00	
L:18.8 23I188	8	0.560/14.22	LONG SCREWLOCK, SPLIT WASHER, FLA WASHER AND HEX NUTS. 2PCS OF EACH PER KIT
L:19.3 23I193	8	0.76/14.5	

**\*INDIVIDUAL PACKING**

**RoHS  
Compliant**

APPL. 核准 Betty	SCALE 比例 参考	TOLERANCE 容許公差 0.0 ± 0.10 0.0 ± 0.10 0.0 ± 0.05	PART NAME 品名 INDIVIDUAL PACKING
DWG. 製圖 Betty	UNIT 單位 MM	SIZE 紙張尺寸 A4	PART NO. 料號 SET
DATE 制表日 2009/09/18	PAGE 張數 1 OF 1	REV. 版次 C	

1 2 3 4 5 6 7 8