

10mm Normal Yellow LED

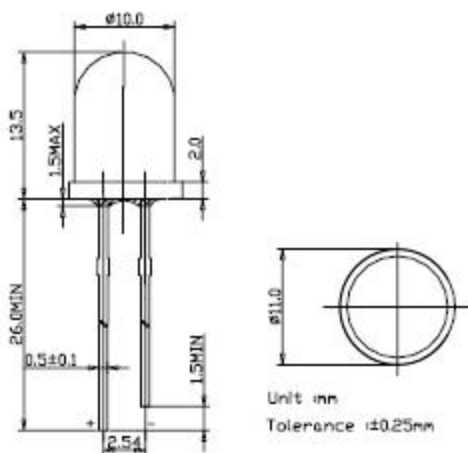
L10A

■Features

- Yellow Diffused Type
- 10mm Standard Directivity
- Superior Weather-resistance
- RoHS compliant

■Applications

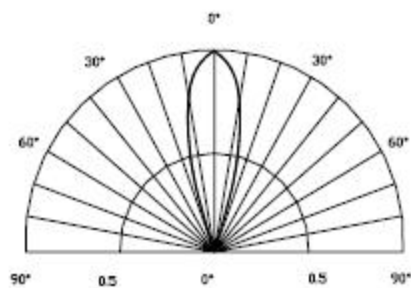
- Toys
- Games
- Audio
- Christmas Light

■Outline Dimension**■Absolute Maximum Rating**

(Ta=25°C)

Item	Symbol	Value	Unit
DC Forward Current	I_F	50	mA
Pulse Forward Current*	I_{FP}	150	mA
Reverse Voltage	V_R	5	V
Power Dissipation	P_D	200	mW
Operating Temperature	T_{opr}	-30 ~ +85	°C
Storage Temperature	T_{stg}	-30 ~ +100	°C
Lead Soldering Temperature	T_{sol}	260°C/5sec	-

*Pulse width Max.10ms Duty ratio max 1/10

■Directivity**■Electrical -Optical Characteristics**

(Ta=25°C)

Item	Symbol	Condition	Min	Typ	Max	Unit
DC Forward Voltage	V_F	$I_F=20$ mA	1.8	2.0	2.4	V
DC Reverse Current	I_R	$V_R=5$ V	-	-	10	μ A
Dom. Wavelength	λ_D	$I_F=20$ mA	585	590	595	nm
Luminous Intensity	I_v	$I_F=20$ mA	10	15	20	mcd
50% Power Angle	$2\theta_{1/2}$	$I_F=20$ mA	-	30	-	deg