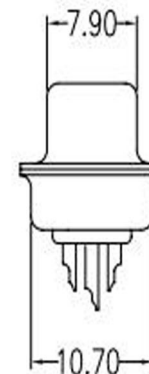
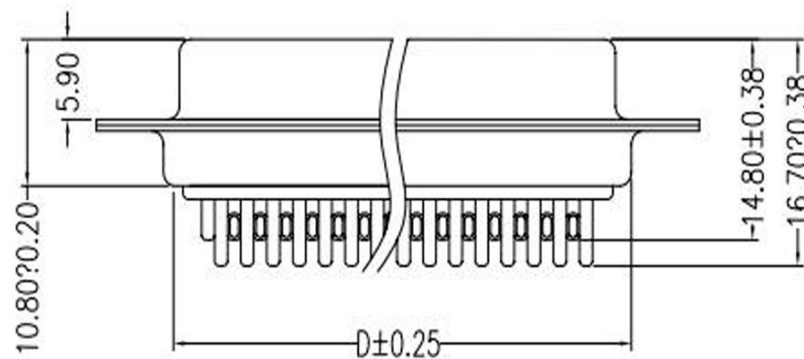


PIN	A	B	C	D	E
15	30.80	24.99	16.30	19.30	2.29
26	39.20	33.30	24.60	27.60	2.29
44	53.10	47.04	38.30	41.10	2.29
62	69.34	63.50	54.80	57.30	2.41



**MATERIAL:**

1. Insulator: PBT+30%Glass Fiber (UL94V-0)
2. Contact: Brass
3. Contact Plated: Gold Flash over Tin Or Gold Plated Or Tin Plated
4. Shell: Steel, Nickel Plated

**SPECIFICATION?**

1. Current Rating: 5 AMPS
2. Insulation Resistance: 1000MΩ MIN. At 500VDC
3. Dielectric Strength: 500V for One minute
4. Operation Temperature: -55° C~+105° C.

**RoHS  
Compliant**

APPD. 核准	BETTY		TOLERANCE	PART NAME H.D. D-SUB SOLDER TYPE STAMPED PIN XXP FEMALE THROUGH HOLE NICKEL SHELL BLACK INSULATOR
DWG. 製圖	BETTY		SCALE 比例 參考	
DATE 制表日	2009/09/23	UNIT 單位	M M	PART NO. 料號 H15HD / H26HD / H44HD / H62HD
		PAGE 張數	1 OF 1	
		REV. 版次	A	