

C6967

## SPECIFICATIONS SHEET

**PRODUCT TYPE : CONDENSOR MICROPHONE**  
**PRODUCT SERIES : DB - C9767**  
**DESCRIPTION : MIC OMN 9767 1.5V 2.2KR 38/3 SP RoHS**  
**COLOR : SILVER**

**ELECTRICAL SPECIFICATIONS**

<b>MODEL NO.</b>	<b>C9767BD383LF</b>	
DIAMETER ( A ) $\pm 0.1$	mm	$\varnothing 9.7$
HEIGHT ( B ) $\pm 0.2$	mm	6.7
SENSITIVITY ( 0 dB = 1V / Pa ) AT 1K Hz	dB	- 38.0 $\pm$ 3.0
DIRECTIVITY		OMNIDIRECTIONAL
POWER SUPPLY ( Vs )	V	1.5
RESISTANCE LOADING ( RL )	$\Omega$	2.2 K
OPERATING VOLTAGE RANGE	V	1.0 ~ 10.0
MAX. CURRENT	mA	0.5
TERMINAL		NIL
HOUSING MATERIAL		ALUMINUM
S / N RATIO	dB	MORE THEN 60.0
FREQUENCY RANGE	Hz	50 ~ 16000

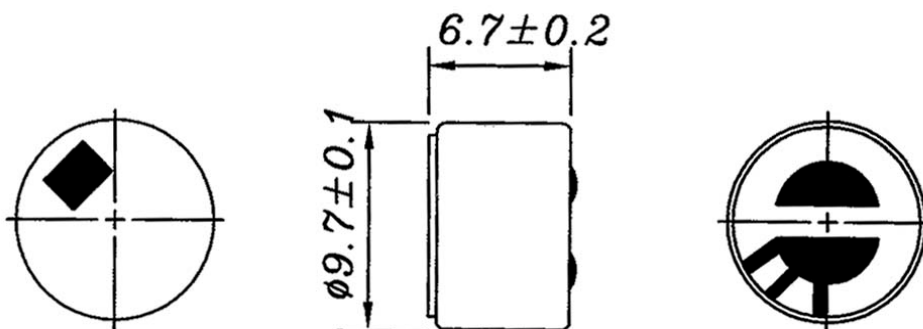
**DIMENSIONS**

UNIT : mm

TOP VIEW

SIDE VIEW

BOTTOM VIEW



**SCHEMATIC DIAGRAM**

$V_s = 1.5V$   
 $R_L = 2.2K \Omega$

