

Technical Data

ELECTRICAL

Voltage Rating : 125 VAC RMS Min.
Current Rating : 1.5 AMP Min.
Contact Rating : 30 Mini Ω Max.
Insulation Resistance : 500 Meg Ω Min @ 500 VDC.
Dielectric Strength : 1000 VAC RMS 60 Hz, 1Min.

MECHANICAL

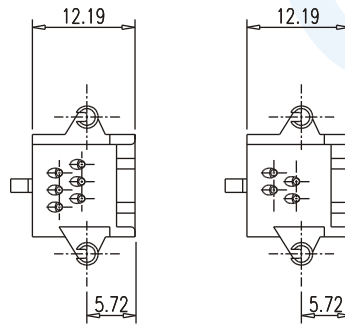
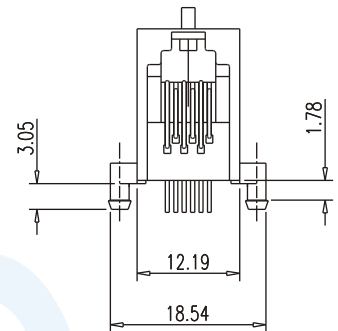
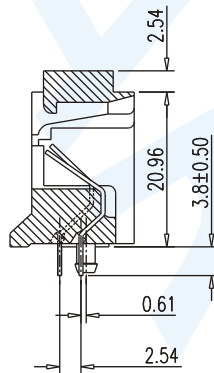
Housing Material : Glass Filled Polyester UL94V-0
Contact Material : Phosphor Bronze Ø0.46mm
Plating : Gold plating over Nickel
Operating Life : 250 Cycles Min.
PCB Retention pre-solder : 1 LB Min.
PCB Retention Post-solder : 10 LBS Min.

ENVIRONMENTAL

Storage : -40 °C to + 85 °C
Operation : 0 °C to 70 °C
Mates with modular plug conforming to
FCC part 68, subpart F.

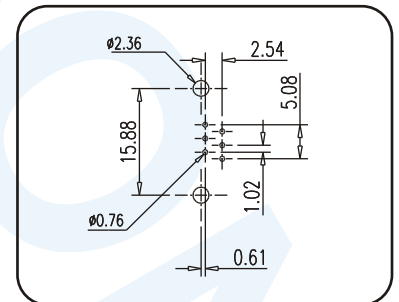
850-C44-04

850-C64-04



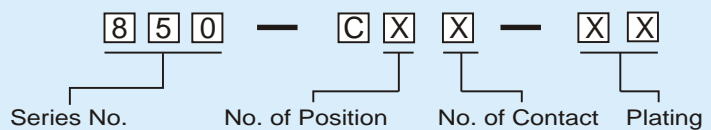
6 Position

4 Position



PC Board Layout

HOW TO ORDER



01	15 μm	03	50 μm
02	30 μm	04	6 μm

Unit = mm

All specification change
without prior notice