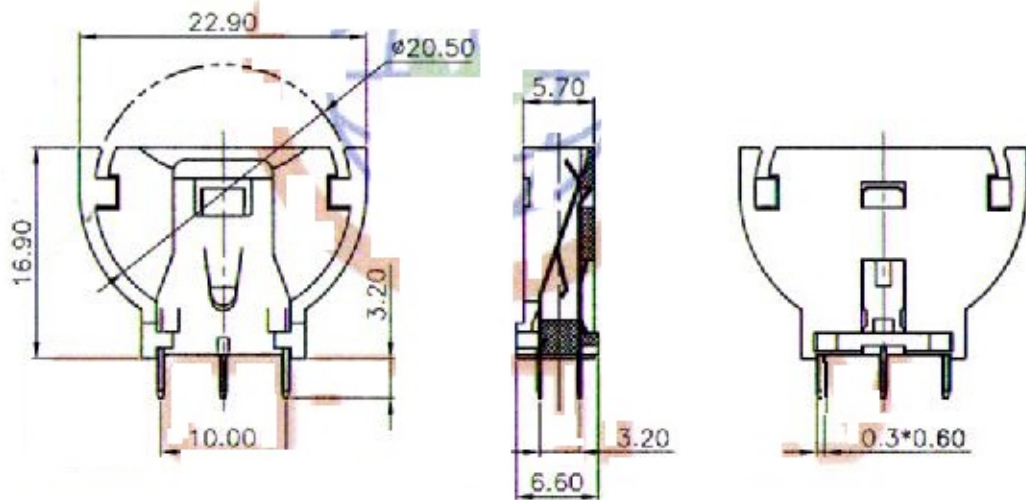


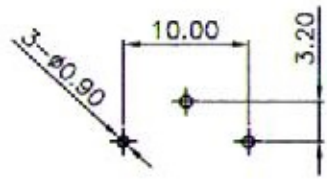
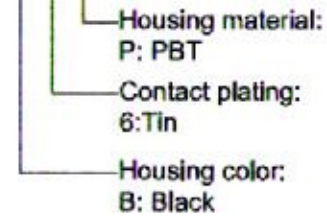
REV.	DESCRIPTION	DRAWN	CHECKED	APPROVED
A	NEW RELEASE	YCH 08/07/12'	~	



NOTE:

1. Materials:
 - 1.1 Base: Thermoplastic,UL94 V-0,Color of black.
Temp.Range: -40°C to +105°C.
 - 1.2 Positive & Negative Contacts: Copper Alloy.
2. Specification:
 - 2.1 Dielectric Withstanding Voltage: AC 500V AC.
 - 2.2 Insulation Resistance: 1000MΩ min.
 - 2.3 Contact Resistance: 100mΩ Max.
3. Part Number Code:

DS1092-02 - X X X



Recommend PCB Layout
Tolerance=±0.05

GENERAL TOLERANCE		ANGLE TOLERANCE		PROJECTION	TITLE
X.	±0.60	X.	±5°	mm	2032 Lithium Coin Cell Battery Holders Upright insert type
.X	±0.38	.X	±3°		
.XX	±0.25	.XX	±2°		
DRAWING TYPE CUSTOMER				BS7C	
SCALE	1:1	SHEET	10F1		
DRAWING NO.					