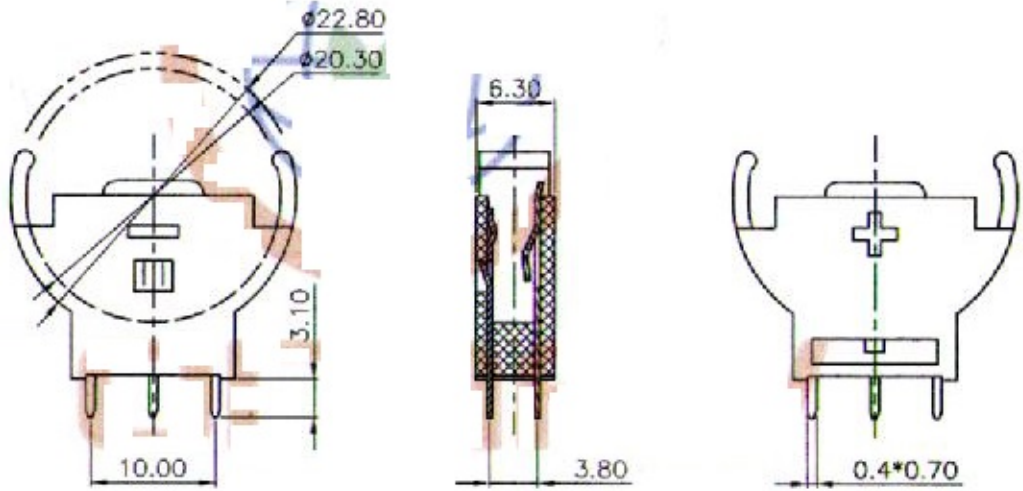


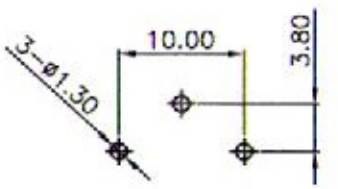
REV.	DESCRIPTION	DRAWN	CHECKED	APPROVED
A	NEW RELEASE	YCH 08/07/12'	~	



- NOTE:**
- Materials:
 - 1.1 Base: Thermoplastic, UL94 V-0, Color of black. Temp. Range: -40°C to +105°C.
 - 1.2 Positive & Negative Contacts: Copper Alloy.
 - Specification:
 - 2.1 Dielectric Withstanding Voltage: AC 500V AC.
 - 2.2 Insulation Resistance: 1000MΩ min.
 - 2.3 Contact Resistance: 100mΩ Max.
 - Part Number Code:

DS1092-01 - X X X

— Housing material:
 P: PBT
 — Contact plating:
 6: Tin
 — Housing color:
 B: Black



Recommend PCB Layout
Tolerance=±0.05

GENERAL TOLERANCE		ANGLE TOLERANCE		PROJECTION	TITLE
X.	±0.60	X.	±5°		2032 Lithium Coin Cell
.X	±0.38	.X	±3°	UNITS	Battery Holders Upright Insert type
.XX	±0.25	.Xx	±2°	SHEET SIZE	A4
DRAWING TYPE				CUSTOMER	SERIES
SCALE		1:1	SHEET	BS5C	
DRAWING NO.					