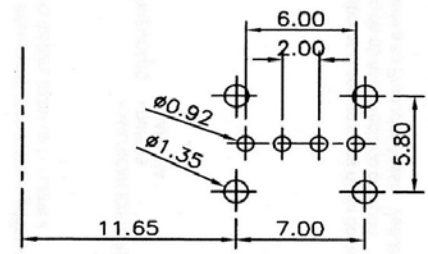
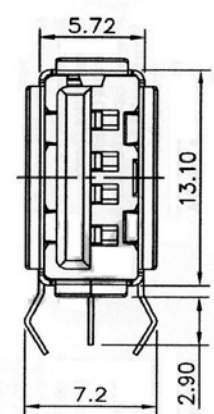
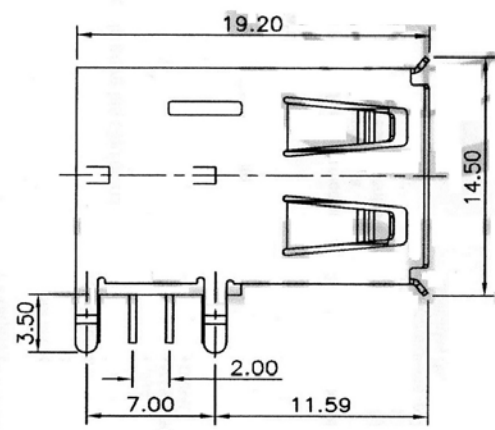
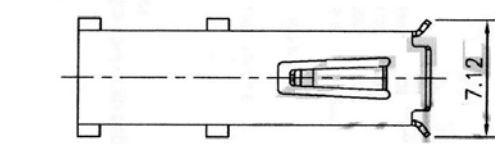
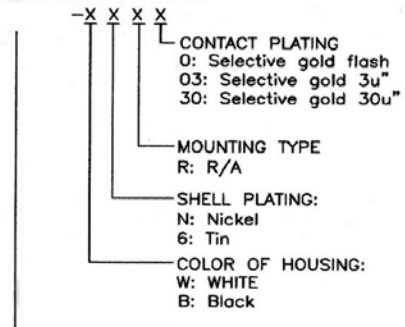


REV.	DESCRIPTION	DRAWN	CHECKED	APPROVED
A	NEW RELEASE	YCH 08/09/08'	~	

- NOTES:
- SPECIFICATIONS:
    - CONTACT RESISTANCE: 30mΩ max.
    - INSULATOR RESISTANCE: 1000MΩ min. AT DC 500V.
    - CURRENT RATING: 1.5A.
    - VOLTAGE RATING: 30V AC/DC.
    - DIELECTRIC STRENGTH: AC 500V FOR 1 Minute.
    - TEMPERATURE RANGE: -40°C ~ +105°C .

- MATERIALS:
  - HOUSING: PBT+30% GLASS FIBER(UL 94-0).
  - CONTACT: COPPER ALLOY
  - SHELL: COPPER ALLOY.

3. PRODUCT NUMBER CODE:



RECOMMEND PCB LAYOUT  
(TOLERANCE=±0.05)

GENERAL TOLERANCE		ANGLE TOLERANCE	
X.	±0.60	X.	±5°
.X	±0.38	.X	±3°
.XX	±0.25	.XX	±2°

DRAWING TYPE	CUSTOMER	
SCALE	1:1	SHEET
DRAWING NO.		

PROJECTION		TITLE	USB A TYPE UP RIGHT ANGLE TYPE
UNITS	mm		
	A4		
8317AV			