

Buzzer - 7P3120

SPECIFICATIONS SHEET

PRODUCT TYPE : PIEZO BUZZER

PRODUCT SERIES : DB-E78

DESCRIPTION : PZ BUZZER SINGLE 12VDC L/W ABS

1) RoHS

COLOR : BLACK

ELECTRICAL SPECIFICATIONS

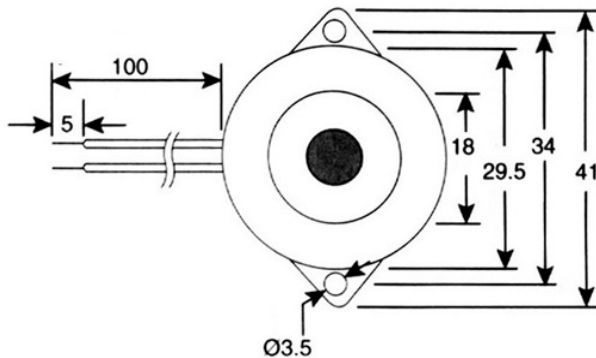
MODEL NO.	7P3120LFLA	
OPERATING VOLTAGE RANGE (VDC)	3.0 ~ 15.0	
RATED VOLTAGE (VDC)	12	
* MAX. RATED CURRENT (mA)	10	
* MIN. SOUND OUTPUT (dBA/ 30 cm)	90	
* FREQUENCY (Hz)	3200 ± 500	
TONE NATURE	PULSE	
OPERATING TEMPERATURE (° C)	- 20 ~ +60	
TERMINAL	LEADWIRE	
HOUSING MATERIAL	ABS	
WEIGHT (g)	15	

* Value applying at rated voltage

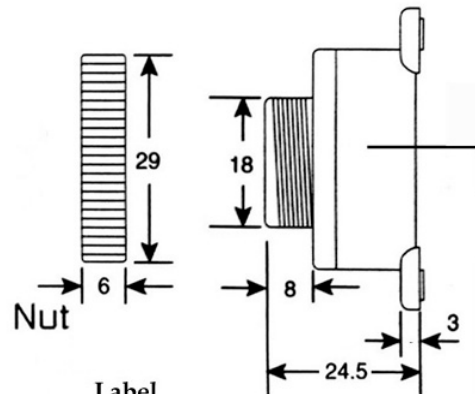
DIMENSIONS

UNIT : mm

TOP VIEW



SIDE VIEW



Label Marking

Date Code Format " LF 6 A "

RoHS (year) (month)

2006 Jan

B = Feb