

Buzzer 3S3120

## SPECIFICATIONS SHEET

**PRODUCT TYPE : PIEZO BUZZER**

**PRODUCT SERIES : DB-E38**

**DESCRIPTION : PZ BUZZER SINGLE 12VDC L/W FR ABS RoHS**

**COLOR : WHITE**

### ELECTRICAL SPECIFICATIONS

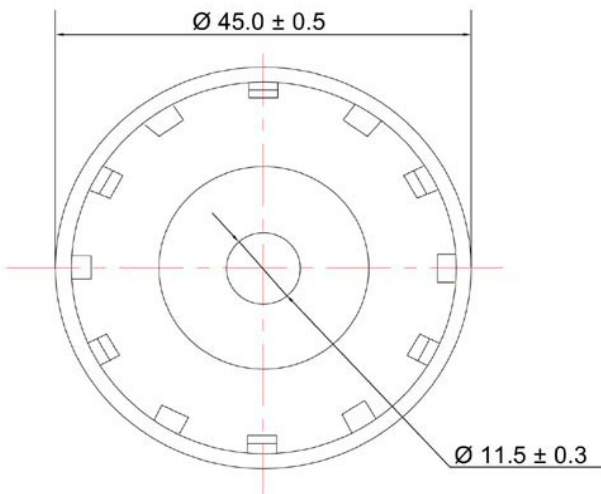
<b>MODEL NO.</b>		<b>3S3120FLB</b>
OPERATING VOLTAGE RANGE	( VDC )	1.0 ~ 13.0
RATED VOLTAGE	( VDC )	12.0
* MAX. RATED CURRENT	( mA )	35.0
* MIN. SOUND OUTPUT	( dBA/ 30 cm )	105.0
* FREQUENCY	( Hz )	2900 ± 500
TONE NATURE		SINGLE
OPERATING TEMPERATURE	( ° C )	- 20.0 ~ + 60.0
STORAGE TEMPERATURE	( ° C )	- 30.0 ~ + 70.0
TERMINAL		LEADWIRE ( UL1007 , AWG#26 )
HOUSING MATERIAL		FLAME RETARDANT ABS
WEIGHT	( g )	28.0

\* Value applying at rated voltage

### DIMENSIONS

UNIT : mm Tolerance : ± 0.5 mm

TOP VIEW



SIDE VIEW

