

# WXD3590 Precision Wirewound Potentiometer



## Features

- Multiturn / Wirewound / Industrial
- Plastic or metal shaft and bushings
- Bushing mount
- Available with shaft (6mm dia.)

## Electrical Characteristics

Standard Resistance Range  
100 to 100K ohms  
(see standard resistance table)

Resistance Tolerance  
±5% std.

Independent Linearity  
±0.25%

Effective Electrical Angle  
3600° - 10° min.

Absolute Minimum Resistance  
0.2% or 5 ohms max.  
(whichever is greater)

Noise  
100 ohms ENR max.

Insulation Resistance  
500 Vdc  
1,000 megohms min.

Dielectric Withstanding Voltage  
101.3 kPa 900 Vac

## Environmental Characteristics

Power Rating (500 volts max.)  
2 watt (70°C) , 0 watt (125°C)

Temperature Range  
-55°C to +125°C

Temperature Coefficient  
±100ppm/°C

Vibration  
98 m/s<sup>2</sup>  
(1% Δ TR; 1% Δ VR)

Shock  
490 m/s<sup>2</sup>  
(1% Δ TR; 1% Δ VR)

Load Life  
1,000 hours 2 watt @ 70°C  
(2% Δ TR)

Rotational Life (No Load)  
1,000,000 shaft revolution

Total Resistance shift  
±5% Max.

## Physical Characteristics

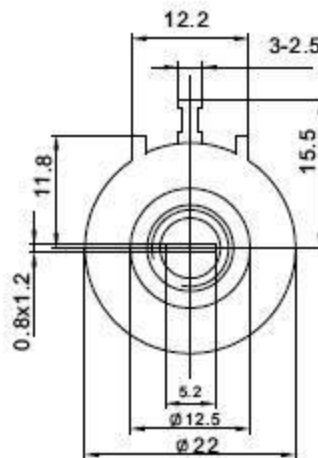
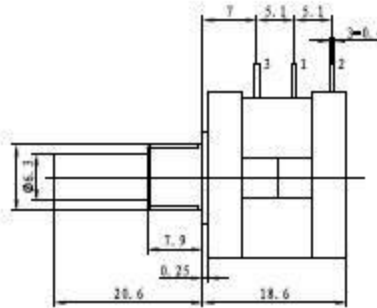
Torque  
36 mN · m max.

Stop Strength  
300 mN · m min.

Mechanical angle  
3600° min.

Standard Packaging  
10 or 25 pcs. per box

WXD3590 Dimension



## How to order

WXD3590-S1-101

Model ————  
Style ————  
Resistance Code ————

S1: Plastic shaft and bushings  
S2: Metal shaft and bushings

## Standard Resistance Table

Resistance (Ohms)	Resistance Code
100	101
200	201
500	501
1,000	102
2,000	202
5,000	502
10,000	103
20,000	203
50,000	503
100,000	104

Special resistance is available.

Detail Specification: Q/RYS00-2002

