

Buzzer 32S4120

SPECIFICATIONS SHEET

PRODUCT TYPE : PIEZO BUZZER

PRODUCT SERIES : DB-E328

DESCRIPTION : PZ BUZZER SINGLE 12VDC PIN NORYL

SS"32S4120LF " & "+" & DATE CODE "

RoHs COMPLIANT

COLOR : BLACK

ELECTRICAL SPECIFICATIONS

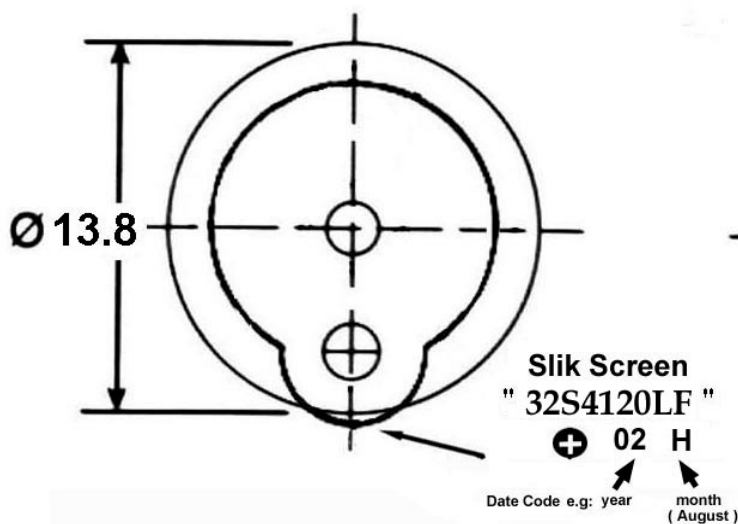
MODEL NO.		32S4120LFPN
OPERATING VOLTAGE RANGE	(VDC)	3 ~ 16
RATED VOLTAGE	(VDC)	12
* MAX. RATED CURRENT	(mA)	7
* MIN. SOUND OUTPUT	(dBA/ 10 cm)	80
* FREQUENCY	(Hz)	4000 ± 500
TONE NATURE		SINGLE
OPERATING TEMPERATURE	(° C)	- 20 ~ +60
TERMINAL		PIN
HOUSING MATERIAL		NORYL
WEIGHT	(g)	1

* Value applying at rated voltage

DIMENSIONS

UNIT : mm

TOP VIEW



SIDE VIEW

